

**GATE & LADDER CASTERS**

Load Capacity Up to 210 lbs.



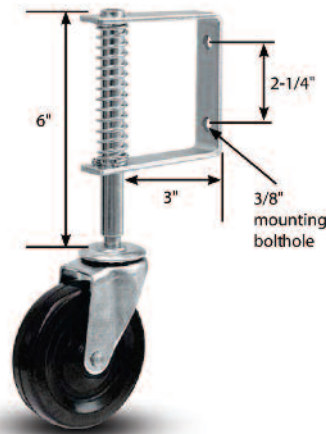
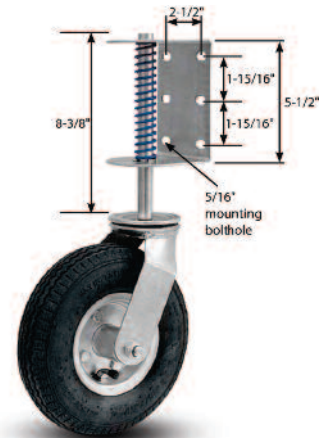
**Custom Gate & Ladder  
Casters Available  
in Stainless Steel  
with Nylacron™ Wheels**

Dia. (in.)	Width (in.)	Capacity (lbs.)	OAH (in.)	Swivel Lead (in.)	Part Number
<b>LC Series Ladder Caster</b>					
<b>Solid Rubber (41 Plain Bearing)</b>					
4	1	125	10-1/2	3.2	<b>LCRN04041S007</b>
<b>GC Series Gate Caster</b>					
<b>Pneumatic (27 Radial Ball Bearing)</b>					
8	2-1/2	210	18-1/2	6.5	<b>GCSF08427S008</b>

Casters are designed to make gate opening and closing easy. Casters feature gate mounts and spring loaded shock absorption.

**Features**

- Gate mount integrated in caster
- Spring loaded design provides shock absorption

**LC Series Ladder Caster****GC Series Gate Caster**